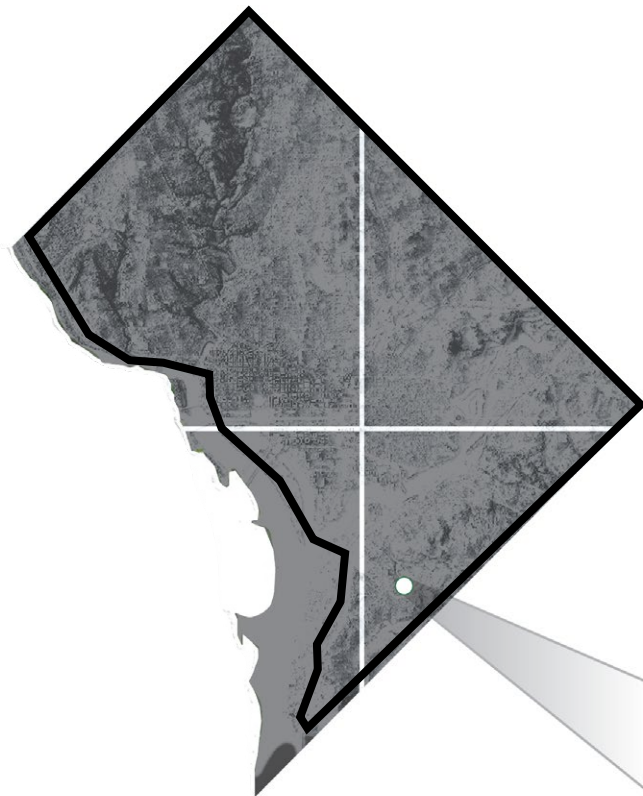
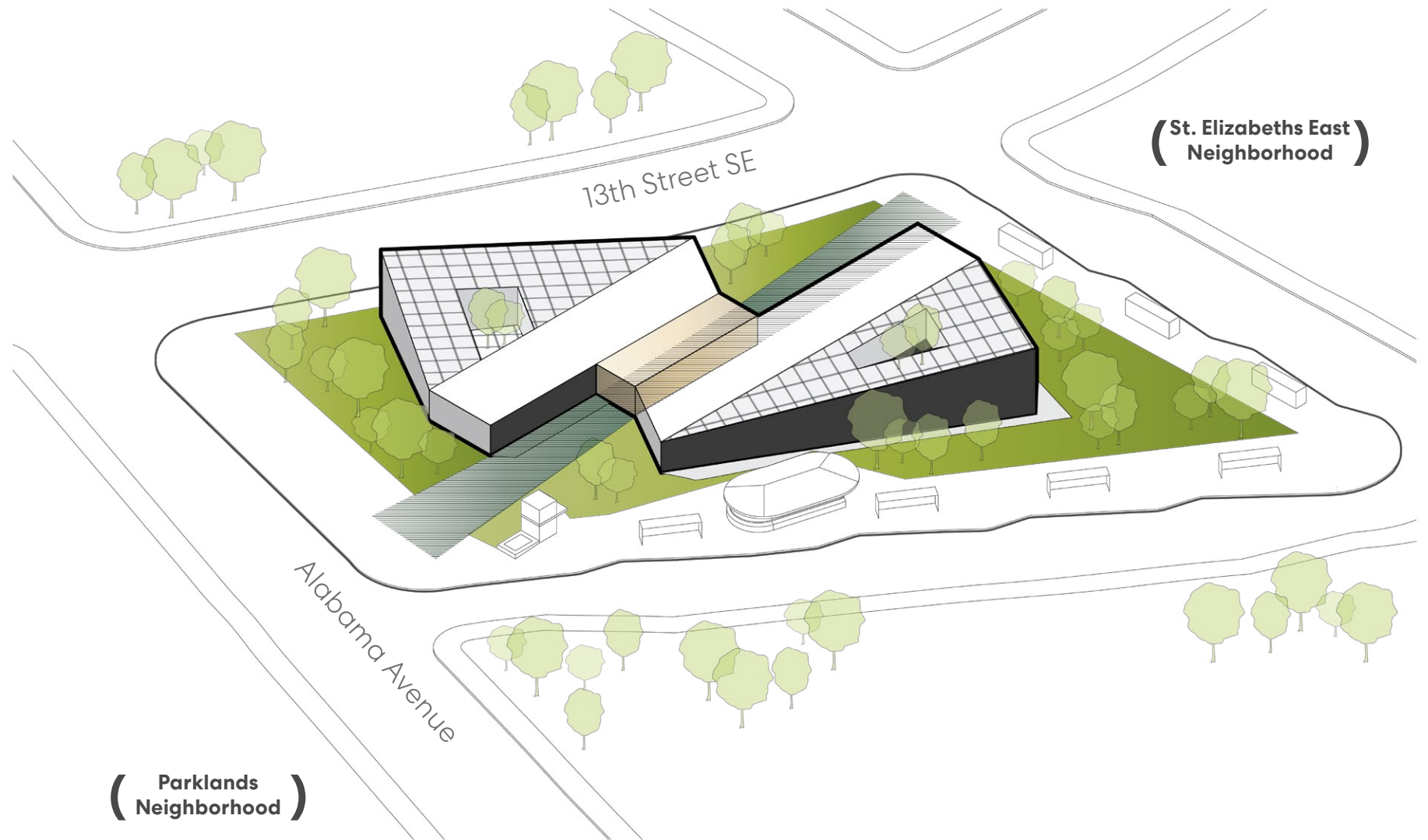


Congress Heights Library

Washington, DC

This communal library enhances the history and culture of the Congress Heights neighborhood by creating a place of respite and sanctuary for the community. This project contains many firsts for the client, DC Public Library. The site is a former transit parking lot, located directly above the Congress Heights Metro Station. The library site will stitch several neighborhoods together that were previously disconnected—Congress Heights, Parklands, and St Elizabeths East. The stitching is manifested directly into the design with dual entries—a first for the library system. Another unique, post-COVID design element are the two courtyard spaces internal to the library—for both adults and children. Finally, this project brings a new type of mass timber structure to the library system complete with a net-zero energy goal that takes advantage of a low EUI, a geothermal mechanical system, and a 198 kWh photovoltaic array on the roof.



Southeast
Washington DC



Celebrate the Legacy of Place and Culture

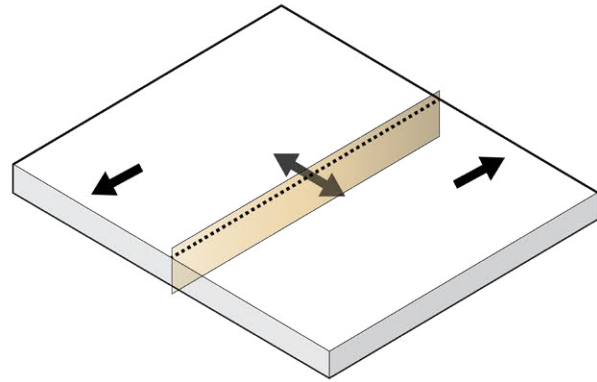
- Bold & transformative civic identity
- Pass-through library with dual entries
- Incorporate landscape, arts, and history
- Community centric experiential programs unique to this library location

A Catalyst for Sustainability and Resilience

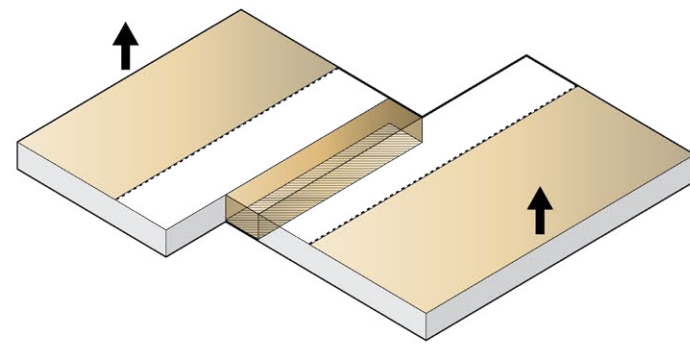
- Outdoor programs with connections to nature
- Wood structure and healthy materials on display
- Net-zero design with low energy use intensity (EUI)
- Passive daylight/energy control, robust exterior enclosure, photovoltaic energy panels

Create a Place of Refuge

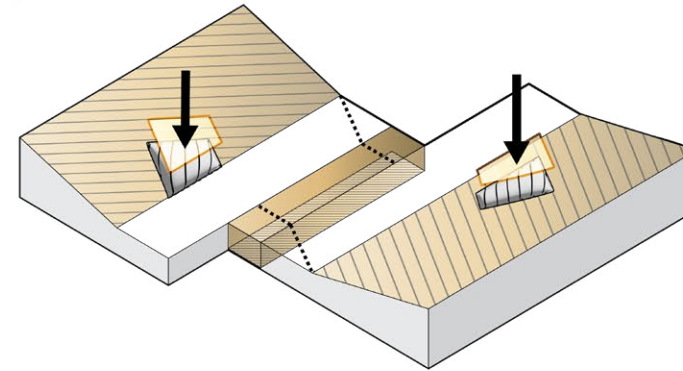
- Courtyards designed for active and passive activity
- Balanced design provides a space for safety
- Ample visibility throughout all interior public spaces
- Designed with enhanced flexibility in operations within a one-story library



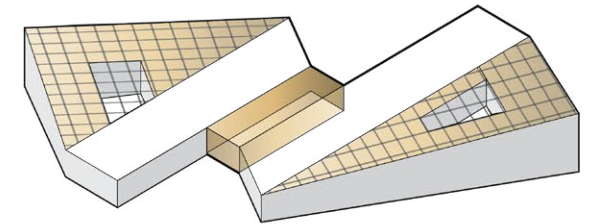
Two public wings connected with a central marketplace



Reading rooms open up to surrounding communities and nature



Courtyards designed specifically for neighborhood needs



Lightweight mass timber lattice structure designed for occupant health



Alabama Avenue Elevation



CONGRESS HEIGHTS LIBRARY

Alabama Avenue Plaza



- 1 Welcome Zone & Express Transactions
- 2 Co-Work / Meeting Space
- 3 Staff Area
- 4 Adult Services
- 5 Adult Courtyard
- 6 Multipurpose Room
- 7 Maker Space
- 8 Tutor / Study Rooms
- 9 Recording Studio
- 10 Teen Hangout
- 11 Youth Services
- 12 Youth Courtyard
- 13 Metro Bus Stop
- 14 Metro Entrance
- 15 Metro Elevator



Alabama Avenue

13th Street SE

Congress Heights Library

Washington, DC

The timeless design of Washington DC's metro inspired the architectural expression this new library design concept for DC Public Library. The gracefully articulated volumes compress and expand the occupant experience moving from the calm and reflective to the active and vibrant. The building is a continuation of a path between the community and neighborhood. Movement is inherent to the user experience—creating a bold opportunity for serendipitous collisions of ideas and interchange of culture and information.



Sycamore and 13th Street SE Entrance



Adult Reading Room